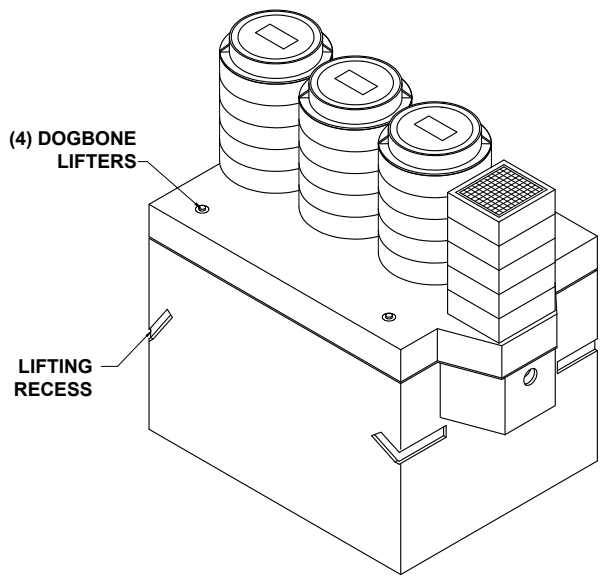
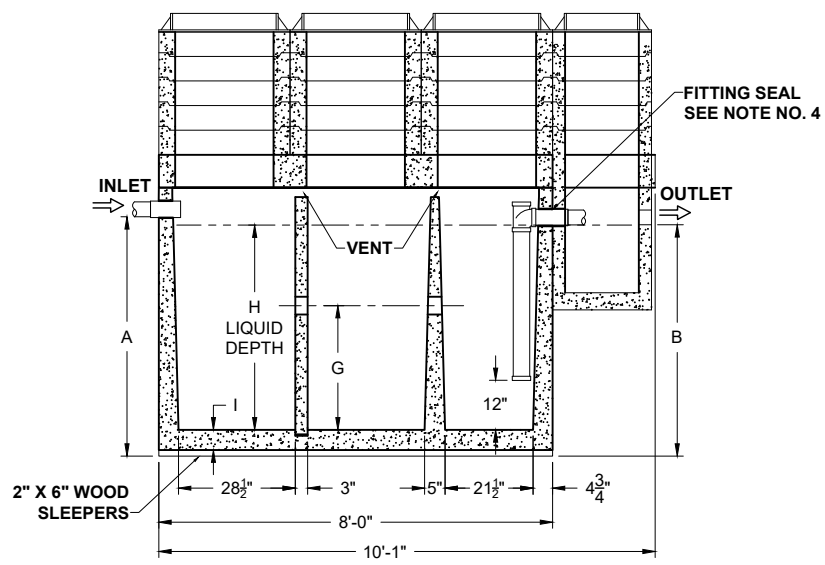


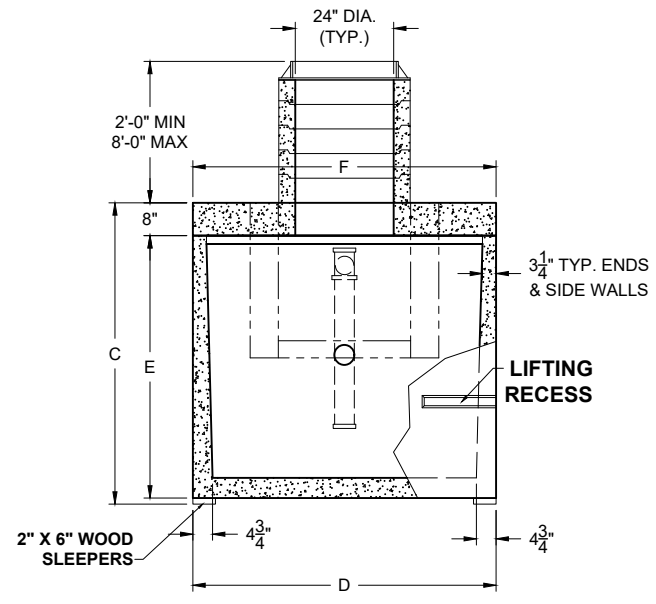
PLAN VIEW



ISOMETRIC VIEW



SECTION THRU "A-A"



SECTION THRU "B-B"

PRODUCT NAME:
CLARIFIER

DESCRIPTION:
 750 THRU 1500 GALLONS
 H-20 TRAFFIC RATED

DESIGN SPECIFICATIONS
DESIGN LOAD: H-20 TRAFFIC RATED

WITH DRY SOIL CONDITIONS (WATER LEVEL BELOW TANK). SUITABLE SUB-BASE BEDDED WITH GRANULAR MATERIAL SHALL BE PREPARED TO HANDLE ANTICIPATED LOADS. FOR COMPLETE DESIGN AND PRODUCT INFORMATION, PLEASE CONTACT PRO-CAST PRODUCTS.

PRO-CAST PRODUCTS RESERVES THE RIGHT TO MAKE CHANGES TO PRODUCT DESIGN AND/OR DIMENSIONS WITHOUT NOTICE. PLEASE CONTACT PRO-CAST PRODUCTS WHENEVER NECESSARY FOR CONFIRMATION OR ADVICE ON PRODUCT DESIGN.

- NOTES:**
- (NOT USED)
 - REFER TO SPECIFICATION SHEET NOS. S-251 & S-252
 - REFER TO SPECIFICATION SHEET NO. S-201
 - REFER TO SPECIFICATION SHEET NO. S-250

ALL DIMENSIONS ARE IN INCHES & WEIGHTS IN LBS - (RISER WT. NOT INCLUDED)											EXCAVATION SPECIFICATIONS			
MODEL	A	B	C	D	E	F	G	H	I	WEIGHT	LENGTH	WIDTH	BELOW INLET	TANK HEIGHT
PC C-1-750-HD	40	38	55	74	45	74	19 3/4	31 1/2	4 1/2	13,155	13'-0"	9'-2"	3'-4"	4'-7"
PC C-1-1000-HD	50	48	65	74	55	74	24 3/4	41 1/2	4 1/2	14,510	13'-0"	9'-2"	4'-2"	5'-5"
PC C-1-1250-HD	59	57	74	74	64	74	29 1/4	50 1/2	4 1/2	15,725	13'-0"	9'-2"	4'-11"	6'-2"
PC C-1-1500-HD	62 1/2	60 1/2	77 1/2	85	67 1/2	85	30 3/4	53 1/2	5	18,345	13'-0"	10'-1"	5'-2 1/2"	6'-5 1/2"

SCALE: DO NOT SCALE
DRAWN BY: TPC 12.20.2024
REVISED BY:
CHECKED BY:

DRAWING NO.
C-001